

**STANLEY**  
Engineered Fastening



# NeoBolt<sup>®</sup> Lockbolt System

High-strength • Vibration resistant • Eco-friendly

**POP**  **Avdel**<sup>®</sup>

# NeoBolt®

NeoBolt is a non-breakstem steel lockbolt fastening system designed for use in heavy-duty structural applications. The pin doesn't break when the fastener is installed. The two-piece fasteners, designed by STANLEY Engineered Fastening, feature unique design characteristics such as annular locking grooves for unmatched vibration resistance, fatigue performance and avoidance of loosening by unscrewing. The NeoBolt program comprises a wide range of fastener diameters and lengths. Existing, well-proven Avdel® placing tools are adapted specifically to suit the full range of NeoBolt sizes.

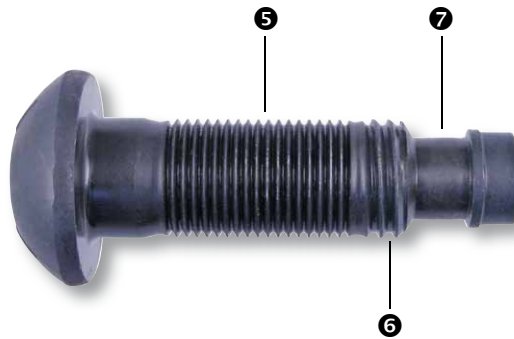


## Product Details



NeoBolt pin head markings:

- ① Manufacturer trademark AV-symbol
- ② Strength Grade markings
- ③ Grip length code
- ④ Batch reference



Design characteristics of the pin:

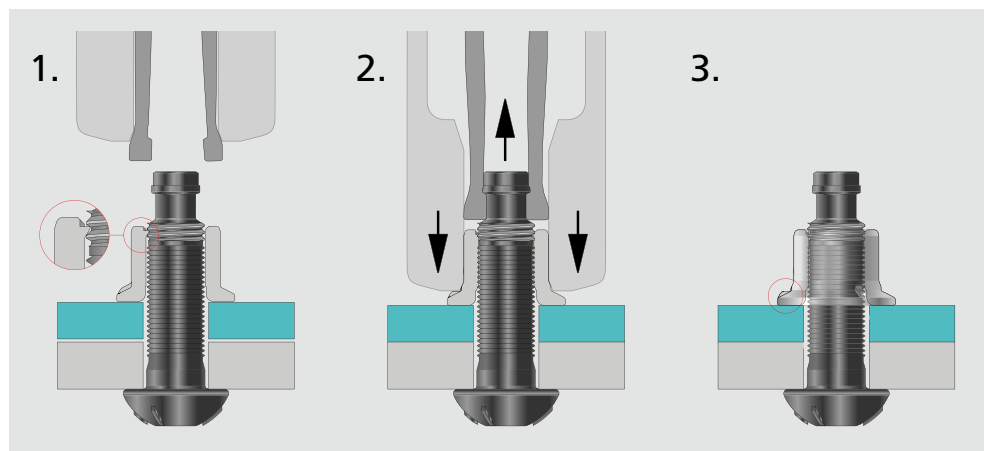
- ⑤ Annular, fine pitch locking grooves for optimum strength, vibration resistance and avoidance of loosening by unscrewing
- ⑥ Helical 'fit-up' form to allow easy, rapid pre-assembly of collar on pin
- ⑦ Single pull-groove tail form unique to NeoBolt®



Collar design includes:

- ⑧ Manufacturer trademark AV-symbol
- ⑨ Radial bars on flange for visual verification of full swage
- ⑩ Single tab in collar bore enables 'fit-up' with the helical form on the pin

## Typical placing sequence



1. The NeoBolt pin is placed through the materials to be joined and the collar screwed onto the pin thread with just a single turn. Place the tool with open collet fully over the pin tail end.
2. At tool actuation the collet closes and pulls the pin. The anvil moves onto the collar, closes any joint gaps and swages the collar wall down into the pin locking grooves.
3. Once full swage load is reached, the tool travel stops and returns to release the pin. The joint is complete.

Please visit our website [www.StanleyEngineeredFastening.com](http://www.StanleyEngineeredFastening.com) for fastener placing animations.

# Vibration resistant Lockbolt System

## Key features and benefits

### No Pin Break:

- No metal waste, eco-friendly
- Eliminate dropped stems improving working area safety
- Avoid corrosion at stem break point (vs. traditional lockbolts)
- Reduced pin size and weight for lower warehousing and shipping cost

### Shockless Installation:

- Reduces operator fatigue
- Improves tool life and components' durability
- Reduces installation noise

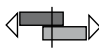

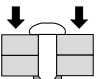
### Fast & Consistent Installation:

- Fine pitch pin groove design for superior vibration resistance vs. traditional lockbolts and nut & bolt settings
- Collar 'fit-up' feature for easy pre-assembly of the joint, avoids the need to support the pin during the placing operation, ideal for upside-down installation
- Radial bar indicators for quick visual swage inspection upon placing
- Fast, not operator reliant installation for improved productivity

### Maintenance Free:

- No torque or re-torque is required

## Range & Performance Data

ø nom.	Standard surface*		No. diff. lengths	Grip range (with recommended Avdel installation tools, see page 4)							
	Pin	Collar		inch	mm	lbf typ.	kN typ.	lbf typ.	kN typ.	lbf typ.	kN typ.
3/16" (4.8 mm)	Silver Magni 565	Zinc plated	9	.053 - 1.387	1.33 - 35.23	2743	12.2	1664	7.4	1057	4.7
1/4" (6.4 mm)			9	.131 - 1.387	3.33 - 35.23	4114	18.3	3013	13.4	1888	8.4
5/16" (8.0 mm)			9	.147 - 1.414	3.73 - 35.93	7846	34.9	5440	24.2	3597	16.0
3/8" (9.6 mm)			10	.057 - 1.689	1.45 - 42.90	10386	46.2	7891	35.1	4968	22.1
1/2" (12.7 mm)	Black oxide (oiled)	Zinc plated	19	.295 - 5.120	7.50 - 130.05	19378	86.2	17894	79.6	12971	57.7
5/8" (15.9 mm)			19	.193 - 5.120	4.90 - 130.05	32619	145.1	28438	126.5	20614	91.7
3/4" (19.1 mm)			19	.387 - 5.148	9.85 - 130.75	42084	187.2	42106	187.3	30529	135.8
1" (25.4 mm)			22	.543 - 6.234	13.80 - 158.35	73445	326.7	76345	339.6	55347	246.2

**Pin Head Style:** Round head

**Material:** Medium carbon Steel

**Collar Style:** Flanged

**Material:** Low carbon Steel

\* Other surface finishes are available upon request.

## Assembly applications

- Railway
  - Railcar
  - Rolling Stock
  - Track / Infrastructure
- Truck & Trailer
- Commercial Vehicles
- Solar & Wind Energy
- Bridge Building
- Mining Equipment
- Screening Equipment
- Fencing & Security Screens
- Construction
- Overland Infrastructure
- Power & Utility Services



NeoBolt lockbolts can be placed with a range of installation tools depending on the fastener diameter. Please note that all tools require fastener specific nose assemblies.

Genesis® nG3 LB



73200



7287



734 AV  
(Enerpac® PRO series)



AV15



AV30



AV50



**Installation Tools - Model and Part Number of Base Tool**

	nG3 LB	73200	7287	AV15*	AV30*	AV50*
	71256-02000	73200-02000	07287-00200	73432-02000	73434-02000	73435-02000

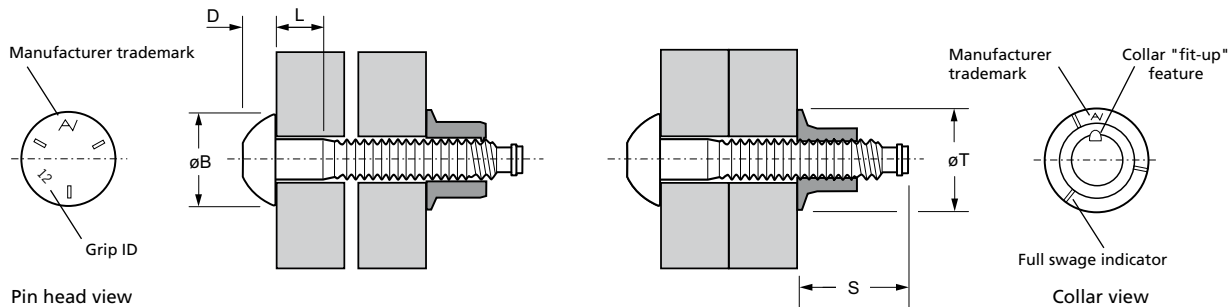
NeoBolt Size	Nose Equipment - Part Number for above Model					
3/16" (4.8 mm)	71213-05500					
1/4" (6.4 mm)	71213-06800					
5/16" (8.0 mm)		73200-05000				
3/8" (9.6 mm)			73200-05100			
1/2" (12.7 mm)				73432-03300		
5/8" (15.9 mm)					73434-03200	
3/4" (19.1 mm)					73434-03300	
1" (25.4 mm)						73435-03200

\*All AV Series tools require Enerpac Power Unit for operation. Details can be found in the 734 AV Series brochure.



English	Français	Deutsch	Italiano	Español
Round head	Tête ronde	Rundkopf	Testa tonda	Cabeza alomada
Pin: Medium carbon steel ≤ 3/8" = Silver Magni 565 <sup>1)</sup> ≥ 1/2" = Black oxide (oiled) <sup>1)</sup>	Tige: Acier ≤ 3/8" = Silver Magni 565 <sup>1)</sup> ≥ 1/2" = Oxyde noire (huilé) <sup>1)</sup>	Bolzen: Stahl ≤ 3/8" = Silver Magni 565 <sup>1)</sup> ≥ 1/2" = Schwarz/brüniert (geölt) <sup>1)</sup>	Bullone: Acciaio ≤ 3/8" = Silver Magni 565 <sup>1)</sup> ≥ 1/2" = Ossido nero (oliato) <sup>1)</sup>	Vástago: Acero ≤ 3/8" = Silver Magni 565 <sup>1)</sup> ≥ 1/2" = Pavonado (lubricado) <sup>1)</sup>
Collar: Low carbon steel Zinc plated <sup>1)</sup>	Bague: Acier Zingué <sup>1)</sup>	Schließring: Stahl Verzinkt <sup>1)</sup>	Collare: Acciaio Zincato <sup>1)</sup>	Collar: Acero Zincado <sup>1)</sup>

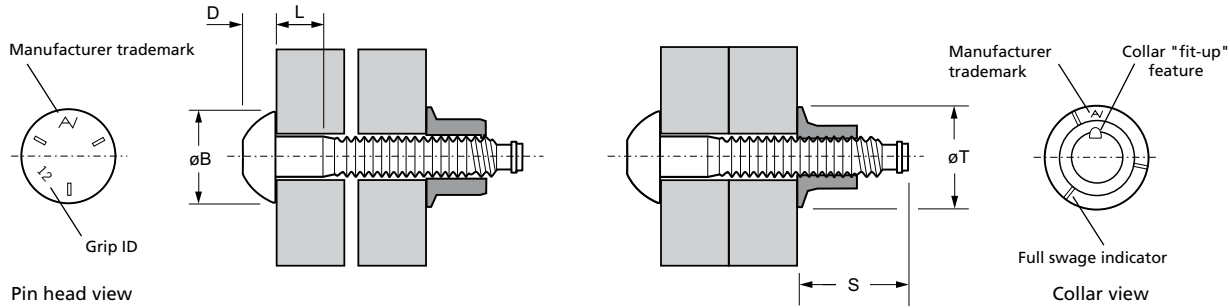
1) other surface finishes available upon request / d'autres finitions de surface disponibles sur demande / andere Oberflächen auf Anfrage / altre finiture superficiali sono disponibili su richiesta / disponibles otros acabados superficiales bajo pedido



ø nom.	e		L		øB nom.	D nom.	S at grip e max.	øT nom.	Part No.			
	ID	e min. <sup>2)</sup>	e max. <sup>2)</sup>	min.					max.	Pin	Collar	
3/16" (4.8mm)	4	.053 (1.33)	.387 (9.83)	.196 (5.00)	.219 (5.56)	.097 (2.46)	.340 (8.64)	.119 (3.01)	e min. = .789 (20.04) e max. = .454 (11.54)	.378 (9.60)	12851-60604	12801-30600
	6	.177 (4.50)	.511 (13.00)			.222 (5.64)					12851-60606	
	8	.302 (7.68)	.637 (16.18)			.347 (8.81)					12851-60608	
	10	.427 (10.85)	.761 (19.35)			.472 (11.99)					12851-60610	
	12	.552 (14.03)	.887 (22.53)			.597 (15.16)					12851-60612	
	14	.677 (17.20)	1.011 (25.70)			.722 (18.34)					12851-60614	
	16	.802 (20.38)	1.137 (28.88)			.847 (21.51)					12851-60616	
	18	.927 (23.55)	1.261 (32.05)			.972 (24.69)					12851-60618	
	20	1.052 (26.73)	1.387 (35.23)			1.097 (27.86)					12851-60620	

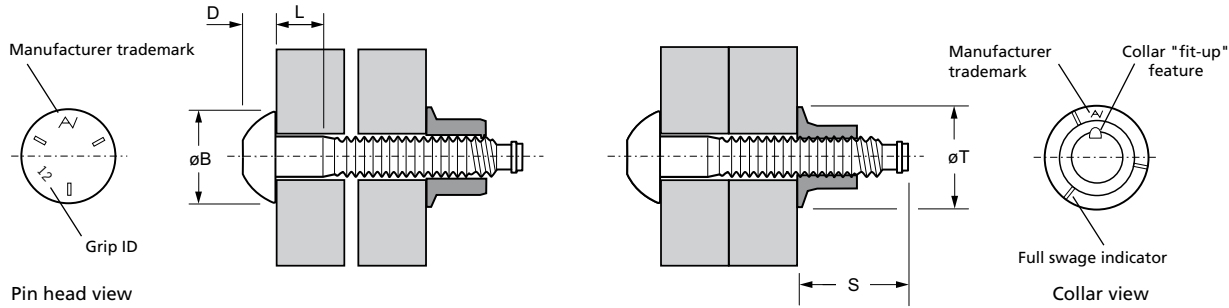
dimensions in inch and (mm) / en pouces et (millimètre) / alle Maße in Zoll und (mm) / in pollici e (millimetri) / en pulgadas y (milímetros)

2) Grip range with recommended Avdel installation tools / Plage de serrage avec les outils d'installation Avdel recommandées / Klemmbereich mit empfohlenen Avdel Verarbeitungsgeräten / Gamma grip con i raccomandati strumenti di installazione Avdel / Rango de espesores con las herramientas de colocación recomendadas Avdel



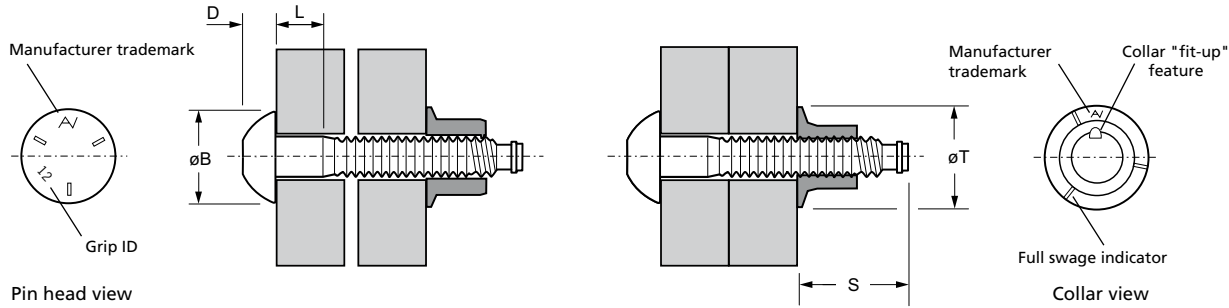
ø nom.	e		L		øB nom.	D nom.	S at grip e max.	øT nom.	Part No.			
	ID	e min. <sup>2)</sup>	e max. <sup>2)</sup>	min.					max.	Pin	Collar	
1/4" (6.4mm)	4	.131 (3.33)	.387 (9.83)	.260 (6.60)	.281 (7.13)	.078 (1.98)	.451 (11.47)	.158 (4.01)	e min. = .874 (22.21) e max. = .619 (15.71)	.504 (12.80)	12851-60804	12801-30800
	6	.256 (6.50)	.512 (13.00)			.203 (5.16)					12851-60806	
	8	.381 (9.68)	.637 (16.18)			.328 (8.33)					12851-60808	
	10	.506 (12.85)	.762 (19.35)			.453 (11.51)					12851-60810	
	12	.631 (16.03)	.887 (22.53)			.578 (14.68)					12851-60812	
	14	.756 (19.20)	1.012 (25.70)			.703 (17.86)					12851-60814	
	16	.881 (22.38)	1.137 (28.88)			.828 (21.03)					12851-60816	
	18	1.006 (25.55)	1.262 (32.05)			.953 (24.21)					12851-60818	
	20	1.131 (28.73)	1.387 (35.23)			1.078 (27.38)					12851-60820	
5/16" (8.0mm)	4	.147 (3.73)	.414 (10.53)	.323 (8.20)	.359 (9.12)	.066 (1.68)	.565 (14.34)	.197 (5.02)	e min. = .1015 (25.77) e max. = .747 (18.97)	.630 (15.99)	12851-61004	12801-31000
	6	.271 (6.90)	.539 (13.70)			.191 (4.85)					12851-61006	
	8	.396 (10.08)	.664 (16.88)			.316 (8.03)					12851-61008	
	10	.521 (13.25)	.789 (20.05)			.441 (11.20)					12851-61010	
	12	.646 (16.43)	.914 (23.23)			.566 (14.38)					12851-61012	
	14	.771 (19.60)	1.039 (26.40)			.691 (17.55)					12851-61014	
	16	.896 (22.78)	1.164 (29.58)			.816 (20.73)					12851-61016	
	18	1.021 (25.95)	1.289 (32.75)			.941 (23.90)					12851-61018	
	20	1.146 (29.13)	1.414 (35.93)			1.066 (27.08)					12851-61020	

dimensions in inch and (mm) / en pouces et (millimètre) / alle Maße in Zoll und (mm) / in pollici e (millimetri) / en pulgadas y (milímetros)  
 2) Grip range with recommended Avdel installation tools / Plage de serrage avec les outils d'installation Avdel recommandées / Klemmbereich mit empfohlenen Avdel Verarbeitungsgeräten / Gamma grip con i raccomandati strumenti di installazione Avdel / Rango de espesores con las herramientas de colocación recomendadas Avdel



Ø nom.	e		L		ØB nom.	D nom.	S at grip e max.	ØT nom.	Part No.			
	ID	e min. <sup>2)</sup>	e max. <sup>2)</sup>	min.					max.	Pin	Collar	
3/8" (9.6mm)	4	.057 (1.45)	.439 (11.15)	.386 (9.80)	.422 (10.71)	.061 (1.55)	.677 (17.21)	.237 (6.02)	e min. = 1.258 (31.95) e max. = .876 (22.25)	.756 (19.19)	12851-61204	12801-31200
	6	.182 (4.63)	.564 (14.33)			.186 (4.72)					12851-61206	
	8	.307 (7.80)	.689 (17.50)			.311 (7.90)					12851-61208	
	10	.432 (10.98)	.814 (20.68)			.436 (11.07)					12851-61210	
	12	.557 (14.15)	.939 (23.85)			.561 (14.25)					12851-61212	
	14	.682 (17.33)	1.064 (27.03)			.686 (17.42)					12851-61214	
	16	.807 (20.50)	1.189 (30.20)			.811 (20.60)					12851-61216	
	18	.932 (23.68)	1.314 (33.38)			.936 (23.77)					12851-61218	
	20	1.057 (26.85)	1.439 (36.55)			1.061 (26.95)					12851-61220	
	24	1.307 (33.20)	1.689 (42.90)			1.311 (33.30)					12851-61224	
1/2" (12.7mm)	4	.295 (7.50)	.620 (15.75)	.516 (13.10)	9/16" (14.28)	.181 (4.60)	.903 (22.94)	.315 (8.00)	e min. = 1.835 (46.61) e max. = 1.510 (38.36)	1.030 (26.15)	12851-11604	12801-31600
	8	.545 (13.85)	.870 (22.10)			.431 (10.95)					12851-11608	
	12	.795 (20.20)	1.120 (28.45)			.681 (17.30)					12851-11612	
	16	1.045 (26.55)	1.370 (34.80)			.931 (23.65)					12851-11616	
	20	1.295 (32.90)	1.620 (41.15)			1.181 (30.00)					12851-11620	
	24	1.545 (39.25)	1.870 (47.50)			1.431 (36.35)					12851-11624	
	28	1.795 (45.60)	2.120 (53.85)			1.681 (42.70)					12851-11628	
	32	2.045 (51.95)	2.370 (60.20)			1.931 (49.05)					12851-11632	
	36	2.295 (58.30)	2.620 (66.55)			2.181 (55.40)					12851-11636	
	40	2.545 (64.65)	2.870 (72.90)			2.431 (61.75)					12851-11640	

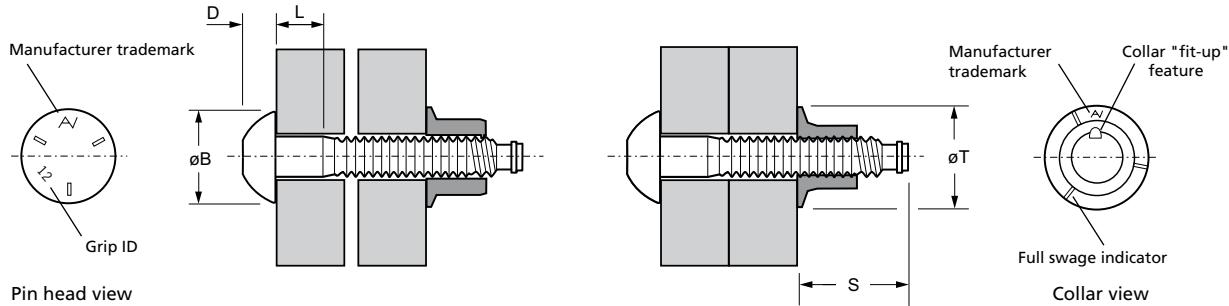
dimensions in inch and (mm) / en pouces et (millimètre) / alle Maße in Zoll und (mm) / in pollici e (millimetri) / en pulgadas y (milímetros)  
 2) Grip range with recommended Avdel installation tools / Plage de serrage avec les outils d'installation Avdel recommandées /  
 Klemmbereich mit empfohlenen Avdel Verarbeitungsgeräten / Gamma grip con i raccomandati strumenti di installazione Avdel /  
 Rango de espesores con las herramientas de colocación recomendadas Avdel



ø nom.	e		L		øB nom.	D nom.	S at grip e max.	øT nom.	Part No.			
	ID	e min. <sup>2)</sup>	e max. <sup>2)</sup>	min.					max.	Pin	Collar	
1/2" (12.7mm)	44	2.795 (71.00)	3.120 (79.25)	.516 (13.10)	9/16" (14.28)	2.681 (68.10)	.903 (22.94)	.315 (8.00)	e min. = 1.835 (46.61) e max. = 1.510 (38.36)	1.030 (26.15)	12851-11644	12801-31600
	48	3.045 (77.35)	3.370 (85.60)			2.931 (74.45)					12851-11648	
	52	3.295 (83.70)	3.620 (91.95)			3.181 (80.80)					12851-11652	
	56	3.545 (90.05)	3.870 (98.30)			3.431 (87.15)					12851-11656	
	60	3.795 (96.40)	4.120 (104.65)			3.681 (93.50)					12851-11660	
	64	4.045 (102.75)	4.370 (111.00)			3.931 (99.85)					12851-11664	
	68	4.295 (109.10)	4.620 (117.35)			4.181 (106.20)					12851-11668	
	72	4.545 (115.45)	4.870 (123.70)			4.431 (112.55)					12851-11672	
	76	4.795 (121.80)	5.120 (130.05)			4.681 (118.90)					12851-11676	
5/8" (16.0mm)	4	.193 (4.90)	.620 (15.75)	.642 (16.30)	11/16" (17.46)	.181 (4.60)	1.142 (29.00)	.394 (10.00)	e min. = 2.004 (50.90) e max. = 1.577 (40.05)	1.250 (31.74)	12851-12004	12801-32000
	8	.443 (11.25)	.870 (22.10)			.431 (10.95)					12851-12008	
	12	.693 (17.60)	1.120 (28.45)			.681 (17.30)					12851-12012	
	16	.943 (23.95)	1.370 (34.80)			.931 (23.65)					12851-12016	
	20	1.193 (30.30)	1.620 (41.15)			1.181 (30.00)					12851-12020	
	24	1.443 (36.65)	1.870 (47.50)			1.431 (36.35)					12851-12024	
	28	1.693 (43.00)	2.120 (53.85)			1.681 (42.70)					12851-12028	
	32	1.943 (49.35)	2.370 (60.20)			1.931 (49.05)					12851-12032	
	36	2.193 (55.70)	2.620 (66.55)			2.181 (55.40)					12851-12036	
	40	2.443 (62.05)	2.870 (72.90)			2.431 (61.75)					12851-12040	
	44	2.693 (68.40)	3.120 (79.25)			2.681 (68.10)					12851-12044	

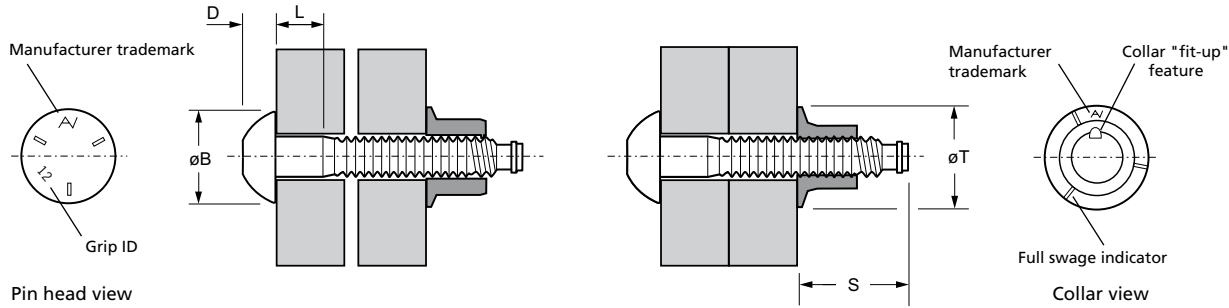
dimensions in inch and (mm) / en pouces et (millimètre) / alle Maße in Zoll und (mm) / in pollici e (millimetri) / en pulgadas y (milímetros)  
 2) Grip range with recommended Avdel installation tools / Plage de serrage avec les outils d'installation Avdel recommandées /  
 Klemmbereich mit empfohlenen Avdel Verarbeitungsgeräten / Gamma grip con i raccomandati strumenti di installazione Avdel /  
 Rango de espesores con las herramientas de colocación recomendadas Avdel





Ø nom.	e		L		ØB nom.	D nom.	S at grip e max.	ØT nom.	Part No.		
	ID	e min. <sup>2)</sup>	e max. <sup>2)</sup>	min.					max.	Pin	Collar
5/8" (16.0mm)	48	2.943 (74.75)	3.370 (85.60)	.642 (16.30)	11/16" (17.46)	2.931 (74.45)	.394 (10.00)	1.250 (31.74)	e min. = 2.004 (50.90) e max. = 1.577 (40.05)	12851-12048	12801-32000
	52	3.193 (81.10)	3.620 (91.95)			3.181 (80.80)				12851-12052	
	56	3.443 (87.45)	3.870 (98.30)			3.431 (87.15)				12851-12056	
	60	3.693 (93.80)	4.120 (104.65)			3.681 (93.50)				12851-12060	
	64	3.943 (100.15)	4.370 (111.00)			3.931 (99.85)				12851-12064	
	68	4.193 (106.50)	4.620 (117.35)			4.181 (106.20)				12851-12068	
	72	4.443 (112.85)	4.870 (123.70)			4.431 (112.55)				12851-12072	
	76	4.693 (119.20)	5.120 (130.05)			4.681 (118.90)				12851-12076	
3/4" (19.1mm)	4	.387 (9.85)	.648 (16.45)	.772 (19.60)	13/16" (20.63)	.181 (4.60)	.513 (13.02)	1.500 (38.09)	e min. = 2.180 (55.37) e max. = 1.920 (48.77)	12851-12404	12801-32400
	8	.637 (16.20)	.898 (22.80)			.431 (10.95)				12851-12408	
	12	.887 (22.55)	1.148 (29.15)			.681 (17.30)				12851-12412	
	16	1.137 (28.90)	1.398 (35.50)			.931 (23.65)				12851-12416	
	20	1.387 (35.25)	1.648 (41.85)			1.181 (30.00)				12851-12420	
	24	1.637 (41.60)	1.898 (48.20)			1.431 (36.35)				12851-12424	
	28	1.887 (47.95)	2.148 (54.55)			1.681 (42.70)				12851-12428	
	32	2.137 (54.30)	2.398 (60.90)			1.931 (49.05)				12851-12432	
	36	2.387 (60.65)	2.648 (67.25)			2.181 (55.40)				12851-12436	
	40	2.637 (67.00)	2.898 (73.60)			2.431 (61.75)				12851-12440	
	44	2.887 (73.35)	3.148 (79.95)			2.681 (68.10)				12851-12444	
	48	3.137 (79.70)	3.398 (86.30)			2.931 (74.45)				12851-12448	

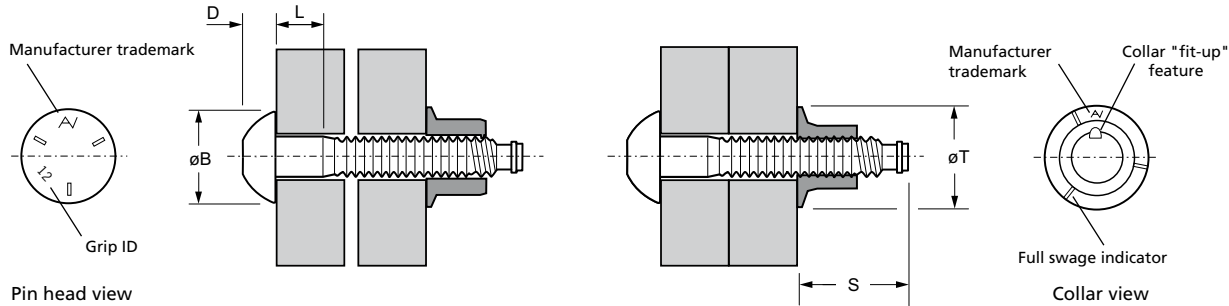
dimensions in inch and (mm) / en pouces et (millimètre) / alle Maße in Zoll und (mm) / in pollici e (millimetri) / en pulgadas y (milímetros)  
 2) Grip range with recommended Avdel installation tools / Plage de serrage avec les outils d'installation Avdel recommandées /  
 Klemmbereich mit empfohlenen Avdel Verarbeitungsgeräten / Gamma grip con i raccomandati strumenti di installazione Avdel /  
 Rango de espesores con las herramientas de colocación recomendadas Avdel



Ø	e		L		L	ØB	D	S at grip e	ØT	Part No.	
	ID	e min. <sup>2)</sup>	e max. <sup>2)</sup>	min.						max.	nom.
3/4" (19.1mm)	52	3.387 (86.05)	3.648 (92.65)	.772 (19.60)	13/16" (20.63)	3.181 (80.80)	1.399 (35.52)	.513 (13.02)	1.500 (38.09)	12801-32400	12851-12452
	56	3.637 (92.40)	3.898 (99.00)			3.431 (87.15)					12851-12456
	60	3.887 (98.75)	4.148 (105.35)			3.681 (93.50)					12851-12460
	64	4.137 (105.10)	4.398 (111.70)			3.931 (99.85)					12851-12464
	68	4.387 (111.45)	4.648 (118.05)			4.181 (106.20)					12851-12468
	72	4.637 (117.80)	4.898 (124.40)			4.431 (112.55)					12851-12472
	76	4.887 (124.15)	5.148 (130.75)			4.681 (118.90)					12851-12476
1" (25.4mm)	8	.543 (13.80)	.984 (25.00)	1.024 (26.00)	1-1/8" (28.57)	.431 (10.95)	1.841 (46.75)	.615 (15.63)	1.875 (47.61)	12801-33200	12851-13208
	12	.793 (20.15)	1.234 (31.35)			.681 (17.30)					12851-13212
	16	1.043 (26.50)	1.484 (37.70)			.931 (23.65)					12851-13216
	20	1.293 (32.85)	1.734 (44.05)			1.181 (30.00)					12851-13220
	24	1.543 (39.20)	1.984 (50.40)			1.431 (36.35)					12851-13224
	28	1.793 (45.55)	2.234 (56.75)			1.681 (42.70)					12851-13228
	32	2.043 (51.90)	2.484 (63.10)			1.931 (49.05)					12851-13232
	36	2.293 (58.25)	2.734 (69.45)			2.181 (55.40)					12851-13236
	40	2.543 (64.60)	2.984 (75.80)			2.431 (61.75)					12851-13240
	44	2.793 (70.95)	3.234 (82.15)			2.681 (68.10)					12851-13244
	48	3.043 (77.30)	3.484 (88.50)			2.931 (74.45)					12851-13248
	52	3.293 (83.65)	3.734 (94.85)			3.181 (80.80)					12851-13252
	56	3.543 (90.00)	3.984 (101.20)			3.431 (87.15)					12851-13256

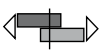

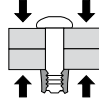
dimensions in inch and (mm) / en pouces et (millimètre) / alle Maße in Zoll und (mm) / in pollici e (millimetri) / en pulgadas y (milímetros)

2) Grip range with recommended Avdel installation tools / Plage de serrage avec les outils d'installation Avdel recommandées / Klemmbereich mit empfohlenen Avdel Verarbeitungsgeräten / Gamma grip con i raccomandati strumenti di installazione Avdel / Rango de espesores con las herramientas de colocación recomendadas Avdel



Ø nom.	e		L		ØB nom.	D nom.	S at grip e max.	ØT nom.	Part No.		
	ID	e min. <sup>2)</sup>	e max. <sup>2)</sup>	min.					max.	Pin	Collar
1" (25.4mm)	60	3.793 (96.35)	4.234 (107.55)	1.024 (26.00)	1-1/8" (28.57)	3.681 (93.50)	.615 (15.63)	1.875 (47.61)	e min. = 2.914 (74.01) e max. = 2.473 (62.81)	12851-13260	12801-33200
	64	4.043 (102.70)	4.484 (113.90)			3.931 (99.85)				12851-13264	
	68	4.293 (109.05)	4.734 (120.25)			4.181 (106.20)				12851-13268	
	72	4.543 (115.40)	4.984 (126.60)			4.431 (112.55)				12851-13272	
	76	4.793 (121.75)	5.234 (132.95)			4.681 (118.90)				12851-13276	
	80	5.043 (128.10)	5.484 (139.30)			4.931 (125.25)				12851-13280	
	84	5.293 (134.45)	5.734 (145.65)			5.181 (131.60)				12851-13284	
	88	5.543 (140.80)	5.984 (152.00)			5.431 (137.95)				12851-13288	
	92	5.793 (147.15)	6.234 (158.35)			5.681 (144.30)				12851-13292	

dimensions in inch and (mm) / en pouces et (millimètre) / alle Maße in Zoll und (mm) / in pollici e (millimetri) / en pulgadas y (milímetros)  
 2) Grip range with recommended Avdel installation tools / Plage de serrage avec les outils d'installation Avdel recommandées / Klemmbereich mit empfohlenen Avdel Verarbeitungsgeräten / Gamma grip con i raccomandati strumenti di installazione Avdel / Rango de espesores con las herramientas de colocación recomendadas Avdel

Ø nom.						
	lbf <sup>3)</sup>	kN <sup>3)</sup>	lbf <sup>3)</sup>	kN <sup>3)</sup>	lbf <sup>3)</sup>	kN <sup>3)</sup>
3/16" (4.8mm)	2743	12.2	1664	7.4	1057	4.7
1/4" (6.4mm)	4114	18.3	3013	13.4	1888	8.4
5/16" (8.0mm)	7846	34.9	5440	24.2	3597	16.0
3/8" (9.6mm)	10386	46.2	7891	35.1	4968	22.1
1/2" (12.7mm)	19378	86.2	17894	79.6	12971	57.7
5/8" (16.0mm)	32619	145.1	28438	126.5	20614	91.7
3/4" (19.1mm)	42084	187.2	42106	187.3	30529	135.8
1" (25.4mm)	73445	326.7	76345	339.6	55347	246.2

3) Typical strength values, note that actual joint strength will depend upon joint material type, thickness, etc. and so application testing is always recommended.

Les valeurs typiques de résistance; notez que la résistance actuel de l'assemblage dépend du type de matériau utilisé, épaisseur etc... c'est ainsi qu'il est toujours recommandé de faire des test d'assemblage.

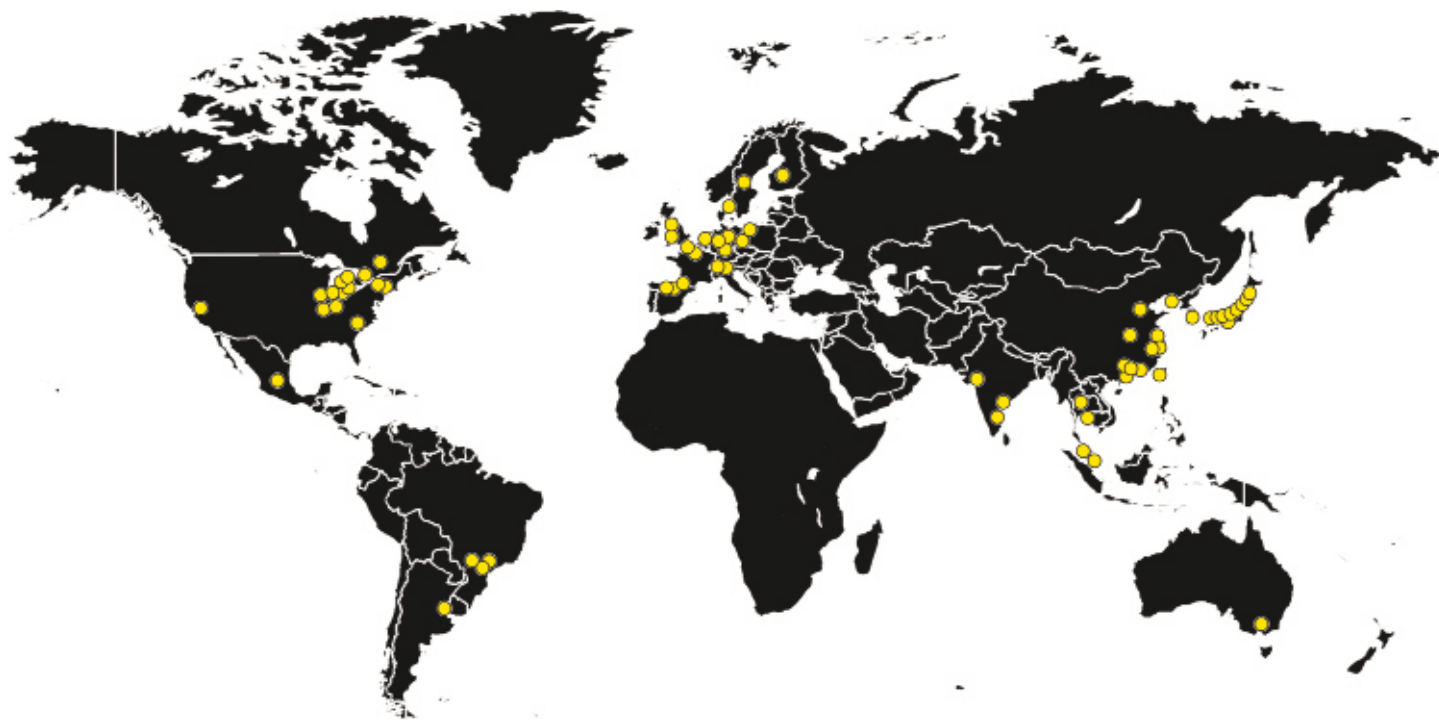
Typische Festigkeitswerte; bitte beachten Sie, dass die tatsächliche Festigkeit von Bauteilmaterial, Materialstärke etc. abhängt - ein Applikationstest ist immer empfohlen.

Valori di resistenza tipici, si noti che la forza congiunta effettiva dipenderà dal tipo di materiale, spessore, ecc e quindi un test delle applicazioni è sempre consigliato.

Valores de resistencia típicos, tenga en cuenta que la fuerza conjunta real dependerá del tipo de material de unión, espesor, etc., y así las pruebas de aplicaciones siempre se recomienda.

# STANLEY®

Engineered Fastening



STANLEY Engineered Fastening, a Stanley Black & Decker Inc. Company has been revolutionizing fastening and assembly technologies for a variety of industries for more than 40 years.

For more information, please visit our website  
[www.StanleyEngineeredFastening.com](http://www.StanleyEngineeredFastening.com)

## Quick Links:

- ▶ Our locations  
<http://www.stanleyengineeredfastening.com/contact/global-locations>
- ▶ Request Information  
<http://www.stanleyengineeredfastening.com/econtact/request-information>
- ▶ Resource Center  
<http://www.stanleyengineeredfastening.com/resource-center>



© 2015 Stanley Black & Decker, Inc., PA588, Rev. 03a.2015

Patents applied for. Avdel®, Genesis®, NeoBolt® and the "AV"-symbol are registered trademarks of Avdel UK Limited.. POP® is a registered trademark of Emhart Technologies. Enerpac® is a registered trademark of Actuant Corporation. Data shown is subject to change without prior notice as a result of continuous product development and improvement policy. Your local representative is at your disposal should you need to confirm latest information.